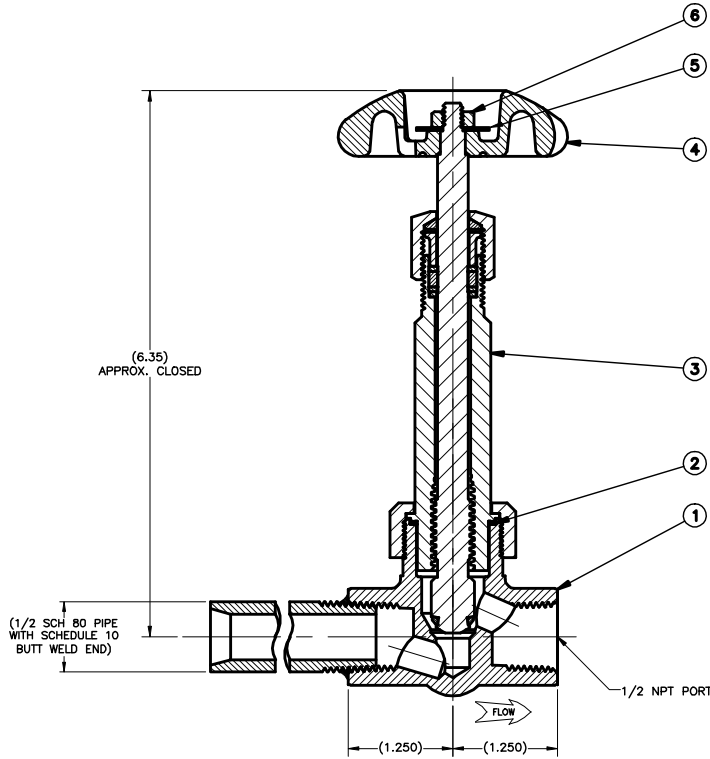


2

1

B

B



A

A

|   |   |                                   |  |
|---|---|-----------------------------------|--|
| 9 | 1 | PED INSTRUCTION SHEET (NOT SHOWN) |  |
| 8 | 1 | BRONZE VALVE TAG (NOT SHOWN)      |  |
| 7 | 1 | TORQUE TAG (NOT SHOWN)            |  |
| 6 | 1 | NUT                               |  |
| 5 | 1 | TAG, TPED                         |  |
| 4 | 1 | HANDWHEEL                         |  |
| 3 | 1 | UPPER ASSEMBLY KIT (UNTESTED)     |  |
| 2 | 2 | GASKET                            |  |
| 1 | 1 | BODY                              |  |

A

A

| ITEM                        | QTY         | TITLE  | PART NUMBER   |
|-----------------------------|-------------|--|---|
| DRAWN                       |             | ISSUED DATE  | <p><b>REGO CRYO-FLOW PRODUCTS</b><br/>BURLINGTON, N.C. 27215</p> <p>THIS DRAWING IS ECII PROPRIETARY INFORMATION.<br/>ALL RIGHTS OF DESIGN OR INVENTION ARE RESERVED.</p> <p>TITLE<br/><b>VALVE, TPED EXTENDED STEM<br/>1/2 PIPE INLET &amp; FNPT OUTLET</b></p> <p>DRAWING NUMBER<br/><b>TBK009454G SER</b></p> <p>DWG SIZE<br/><b>A</b></p> |
| CHECKED                     |             | CHECKED DATE   |   |
| INSPECTED                   |             | INSPECTED DATE   |   |
| APPROVED                    |             | APPROVED DATE  |   |
| REFERENCE NUMBER            |             | IDENTIFIER   |   |
| PROJECT NUM                 | VARIANT DIM | SCALE  |   |
| UNLESS OTHERWISE SPECIFIED: |             | <p>CONCENTRICITY .010 FIM<br/>FINISH 125 MAX, REMOVE<br/>BURRS, BREAK SHARP<br/>EDGES R.015 MAX<br/>INTERPRET DIMENSIONS<br/>&amp; TOLERANCES PER<br/>ASME Y14.5M-1994</p> <p><b>A</b> -CHANGES<br/>GAUGES- <b>1</b></p> |   |

2

1