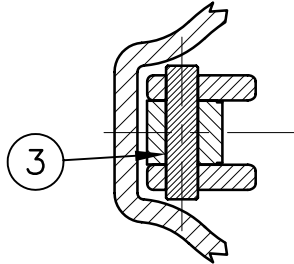


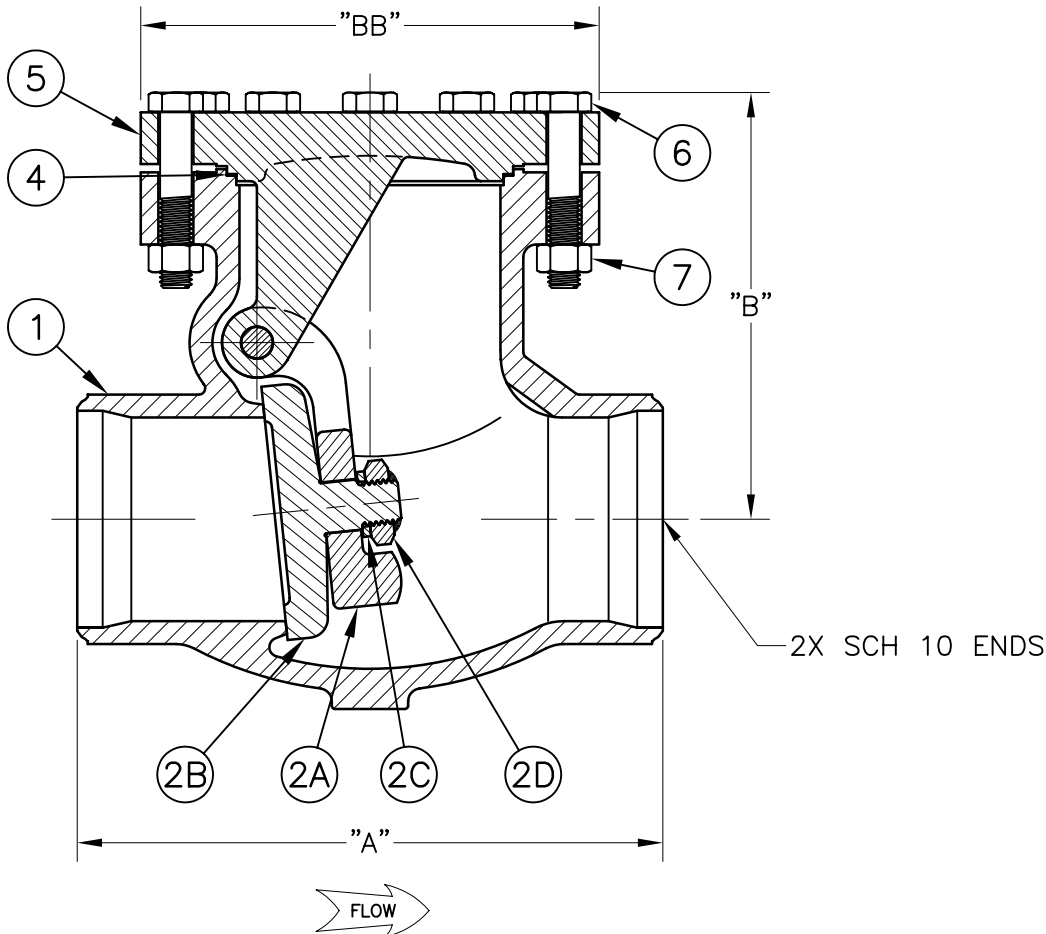
S-886M-xxWx
SSTL CRYOGENIC SWING CHECK VALVE
METAL SEAT W/ SCH 10 ENDS

CWP: 275 PSIG NON-SHOCK COLD
TEMPERATURE RATING +150°F TO -325°F



ITEM	DESCRIPTION	MATERIAL SPEC.	KIT #
* 1	BODY	ASTM A351 CF3M	
2A	ARM	ASTM A351 CF3M	1
2B	DISC	ASTM A351 CF3M	1
		ASTM A479 S31603	
2C	WASHER	ASTM A479 S31603	1
2D	NUT	ASTM F594 UNS 31600	1
3	PIN	ASTM A276 UNS 21800	1
4	GASKET	TFE 25% GLASS FILL VIRGIN	1,2
* 5	CAP	ASTM A351 CF3M	
6	BOLT	ASTM A320 UNS S30400	
7	NUT	ASTM A194 UNS 30400	
8	ROLL PIN	18-8 SSTL	

*INDICATES PART IS PRESSURE CONTAINING



DIMENSIONS IN BRACKETS ARE IN MILLIMETERS

MODEL NUMBER	SIZE	"A"	"B"	"BB"	#1 SEAT ASM KIT	#2 GASKET KIT
S-886M-32WA	4" [DN100]	11.50 [292.10]	8.38 [212.85]	9.00 [228.60]	S-886M-32-82	S-886M-32-83