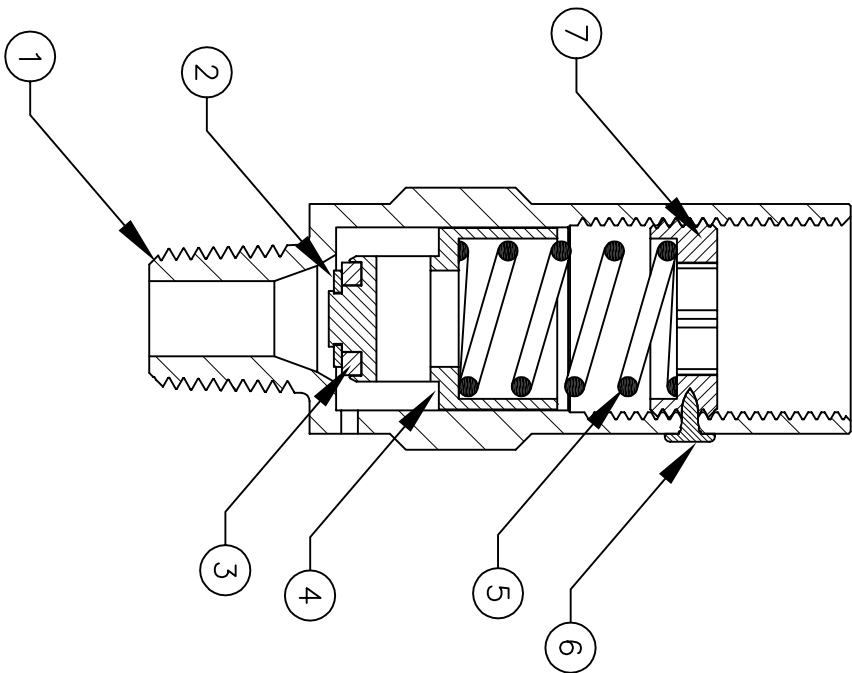


# MATERIAL SPECIFICATION DRAWING



ITEM NO.	QTY.	DESCRIPTION	NUMBER
8	1	RAIN CAP (NOT SHOWN, ASME ONLY)	N/A
7	1	S STL ADJUSTING SCREW	UNS S30300
6	1	RETAINING SEAL (ASME ONLY)	N/A
5	1	302 OR 17-7 PH S STL SPRING	ASTM A31300
4	1	S STL POPPET	UNS S30300
3	1	SEAT DISC PTFE (T SER)	ASTM D1710
3	1	SEAT DISC FLUROSILICONE (F SER)	N/A
2	1	S STL WASHER (F SER ONLY)	UNS S30300
1	1	S STL BODY	UNS S31600

DRAWN	ENGINEER	<b>REGO® CRYO-FLOW PRODUCTS</b> BURLINGTON, N.C. 27215	
CHECKED	APPROVED		
ORIGINAL DATE 7/1/02	PILOT GENERATED:	UNLESS OTHERWISE SPECIFIED: ± .015 2 PL. DEC. ± .02 3 PL. DEC. ± .005 4 PL. DEC. ± .0005 ANGLES ± 1° CONCENTRICITY .010 MAX FINISH 125 MAX REMOVE BURRS, BREAK SHARP EDGES R.015 MAX INTERPRET DIMENSIONS & TOLERANCES IN ACCORDANCE WITH ASME Y14.5M-1994	THIS DRAWING IS ECI PROPRIETARY INFORMATION ALL RIGHTS OF DESIGN OR INVENTION ARE RESERVED
REVISIONS		DRAWING NO. <b>S STL PRV</b>	DWG SIZE <b>B</b>
SCALE		NTS	

Ⓐ - CHANGES  
 ① - GAGES