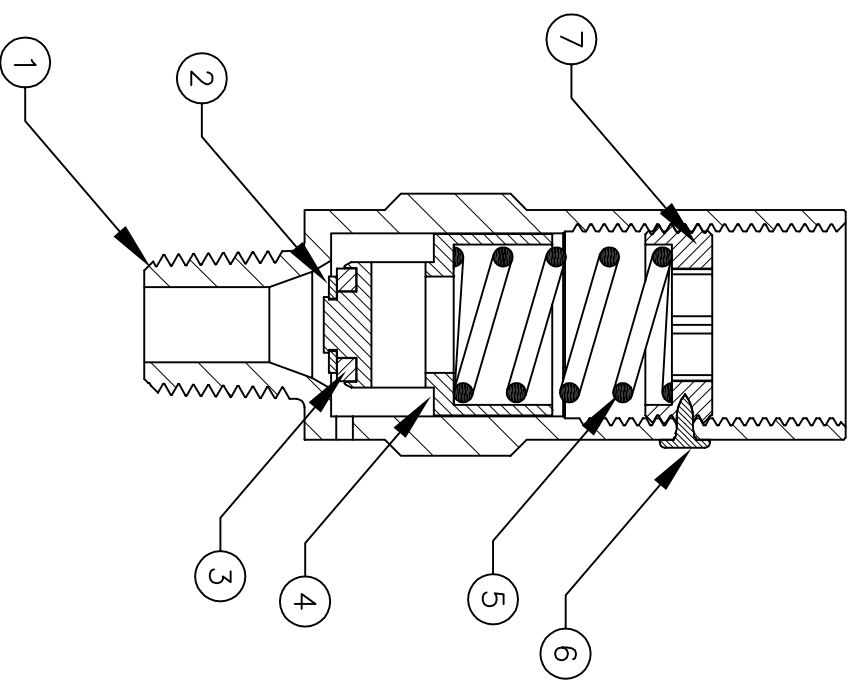


MATERIAL SPECIFICATION DRAWING



ITEM NO.	QTY.	DESCRIPTION	NUMBER
8	1	RAIN CAP (NOT SHOWN, ASME ONLY)	N/A
7	1	BRASS ADJUSTING SCREW	UNS C36000
6	1	RETAINING SEAL (ASME ONLY)	N/A
5	1	302 OR 17-7 PH S STL SPRING	ASTM A31300
4	1	BRASS POPPET	UNS C36000
3	1	SEAT DISC PTFE (T SER)	ASTM D1710
3	1	SEAT DISC FLUOROSILICONE (F SER)	N/A
2	1	BRASS WASHER (F SER ONLY)	UNS C36000
1	1	BRASS BODY	UNS C36000

DRAWN	ENGINEER	REGO® CRYO-FLOW PRODUCTS	
CHECKED	APPROVED	BURLINGTON, N.C. 27215	
ORIGINAL DATE	7/1/02	OTHERWISE SPECIFIED:	UNLESS OTHERWISE SPECIFIED:
REVISIONS		1. PL. DEC. ± .015	2. PL. DEC. ± .02
		3. PL. DEC. ± .005	4. PL. DEC. ± .0005
		ANGLES ± 1°	CONCENTRICITY .010 MAX
		FINISH 125 MAX	REMOVE BURRS, BREAK
		SHARP EDGES R.015 MAX	INTERPRET DIMENSIONS & TOLERANCES IN ACCORDANCE WITH ASME Y14.5M-1994
		SCALE	NTS
		TITLE:	ASME AND NON ASME RELIEF VALVES
		DRAWING NO.	BRASS PRV
		DWG SIZE	B

Ⓐ - CHANGES
 ① - GAGES