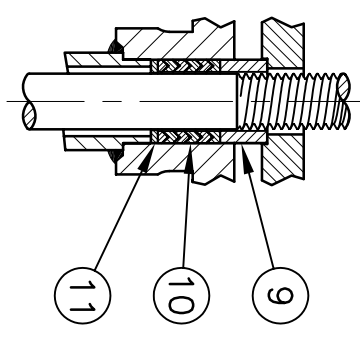
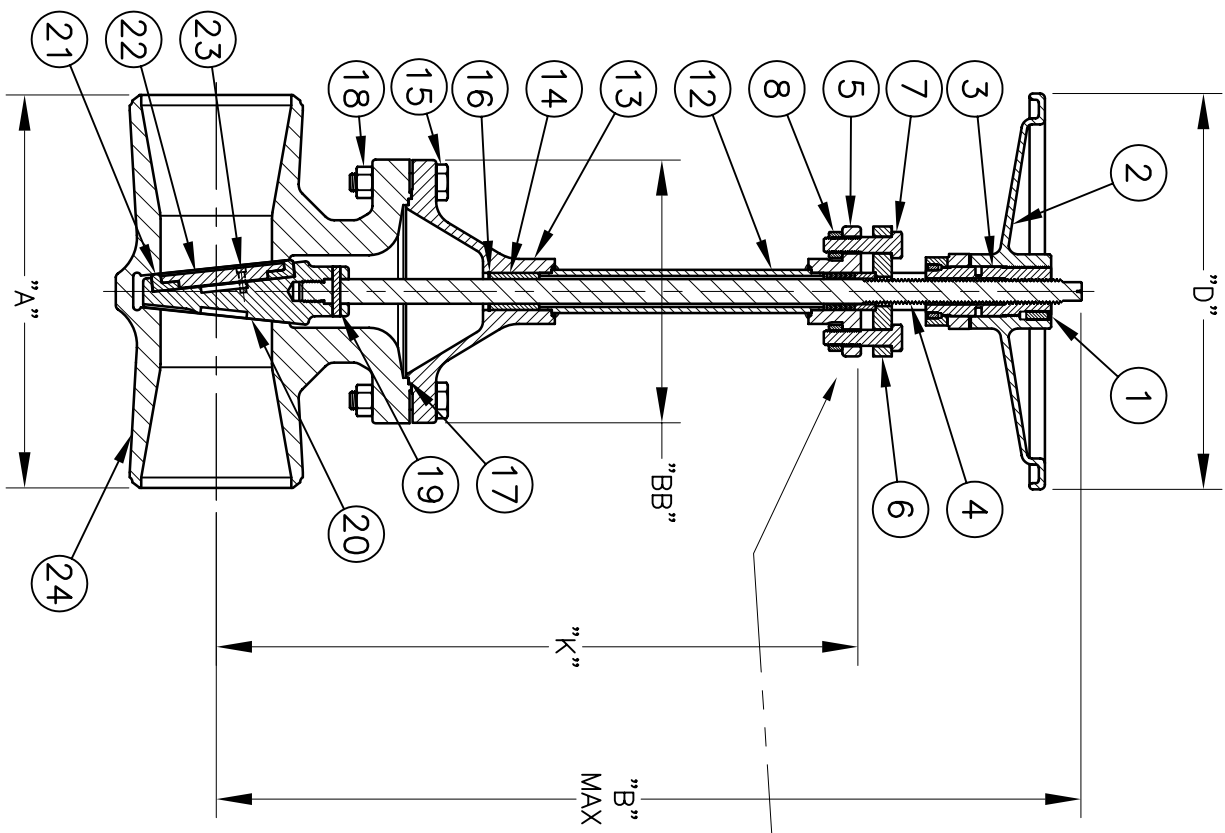


*Handwritten signature*



GS-110W-xxW3A/GS-110W-xxW3J / 2", 3", 4" & 6"  
ST. STL. CRYOGENIC GATE VALVE  
S10 & S40 BUTT WELD ENDS

SERVICE: 300#-720 PSIG NON-SHOCK COLD  
TEMPERATURE RATING +150°F TO -325°F

#	PART NAME	MATERIAL SPECIFICATION	KIT #
1	SET SCREW	ASTM F880 TYPE 304/304L	4
2	HANDWHEEL	ASTM A47 OR A395	4
3	HANDWHEEL BUSHING	ASTM B505/B584 C93200	4
4	STEM	ASTM A479 TYPE 304	2,4
5	YOKE	ASTM A-351 GRADE CF8	4
6	GLAND FLANGE	ASTM A-351 GRADE CF8	4
7	GLAND FLANGE BOLT	ASTM A-320-B8 CL. 1	4
8	GLAND FLANGE NUT	ASTM A-194-8	4
9	PACKING ADAPTER	ASTM A479/A276 TYPE 304	1,4
10	STEM PACKING SET	PTFE	1,4
11	CHEVRON ADAPTER	ASTM A479/A276 TYPE 304	1,4
12	EXTENSION TUBE	ASTM A213/A312 TYPE 304L	4
13	BONNET	ASTM A-351 GRADE CF8	4
14	STEM BEARING	SAE 660 BEARING BRONZE	4
15	BONNET BOLTS	ASTM A-320-B8 CL. 1	4
16	RETAINING RING	CDA 172	4
17	GASKET	25% GLASS FILLED PTFE	1,2,3,4,5
18	BONNET NUTS	ASTM A-194-8	4
19	WEDGE PIN	ANSI 18-8	2,4
20	WEDGE	ASTM A-351 GRADE CF8	2,4
21	SEAT	ASTM D1430-95 TYPE 1, GRADE 3 (NEOFLOX M400H)	2,4,5
22	SEAT CLAMP	ASTM A-351 GRADE CF8	2,4,5
23	SEAT CLAMP SCREWS	ASTM F837 TYPE 302/302HQ	2,4,5
24	BODY	ASTM A-351 GRADE CF8	2,4,5

\* INDICATES PART IS PRESSURE CONTAINING  
 ▼ BONNET NUTS ARE ONLY USED ON "GS-110W-48W3A" & "GS-110W-48W3J".

ALL DIMENSIONS ARE IN INCHES

ASM #	SIZE	"A"	"B"	"D"	"K"	"BB"	CV EST.	WEIGHT(LBS)
GS-110W-16W3A	2"	8.50	21.88	7.00	14.00	Ø5.00	100	35
GS-110W-24W3A	3"	11.12	31.50	12.00	20.00	Ø7.13	310	65
GS-110W-32W3A	4"	12.00	33.75	12.00	21.50	Ø8.25	700	90
GS-110W-48W3A	6"	15.88	41.50	16.00	26.00	Ø10.63	850	150
GS-110W-16W3J	2"	8.50	21.88	7.00	14.00	Ø5.00	100	35
GS-110W-24W3J	3"	11.12	31.50	12.00	20.00	Ø7.13	310	65
GS-110W-32W3J	4"	12.00	33.75	12.00	21.50	Ø8.25	700	90
GS-110W-48W3J	6"	15.88	41.50	16.00	26.00	Ø10.63	850	150

#1	#2	#3	#4	#5
PACKING KIT	SEAT/STEM ASM KIT	GASKET KIT	UPPER ASM KIT	SEAT REPLACEMENT KIT
S-110-16-81	S-110-16-82	S-110-16-83	S-110W16-853	S-110-16-84
S-110-24-81	S-110-24-82	S-110-24-83	S-110W24-853	S-110-24-84
S-110-32-81	S-110-32-82	S-110-32-83	S-110W32-853	S-110-32-84
S-110-48-81	S-110-48-82	S-110-48-83	S-110W48-853	S-110-48-84
S-110-16-81	S-110-16-82	S-110-16-83	S-110W16-853	S-110-16-84
S-110-24-81	S-110-24-82	S-110-24-83	S-110W24-853	S-110-24-84
S-110-32-81	S-110-32-82	S-110-32-83	S-110W32-853	S-110-32-84
S-110-48-81	S-110-48-82	S-110-48-83	S-110W48-853	S-110-48-84