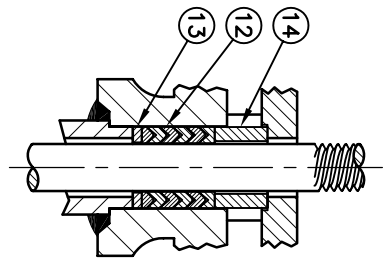
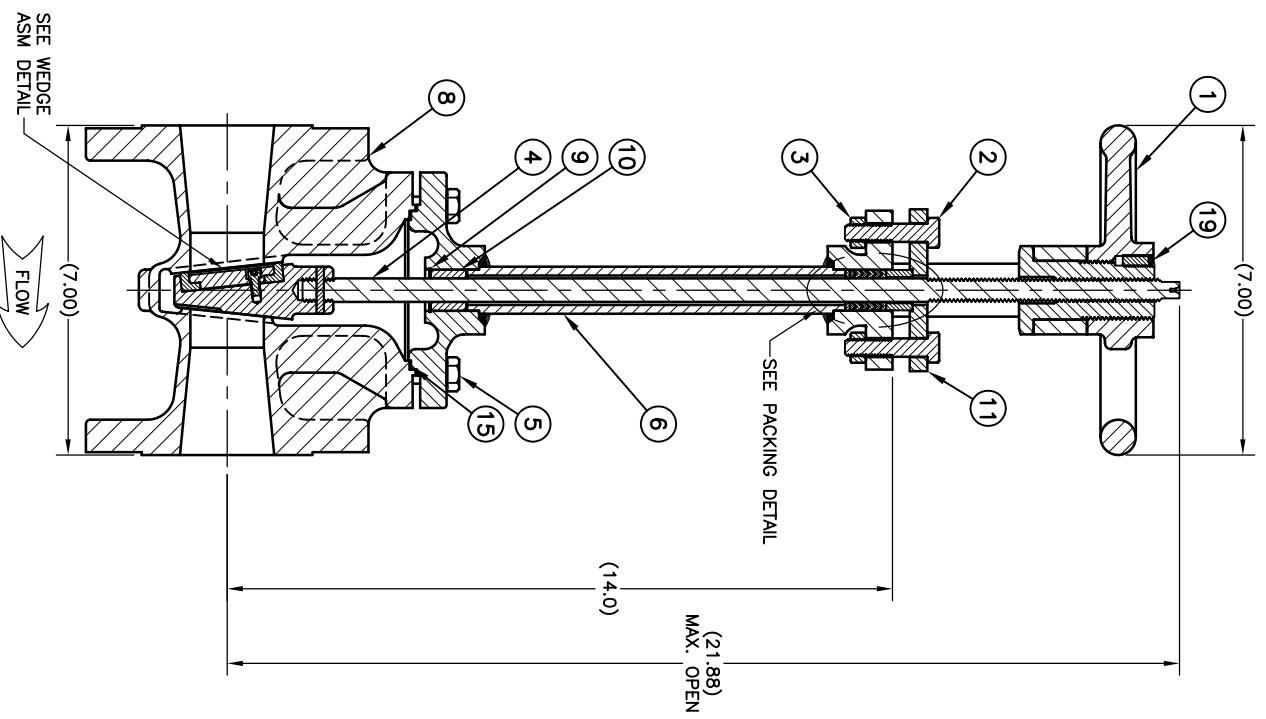
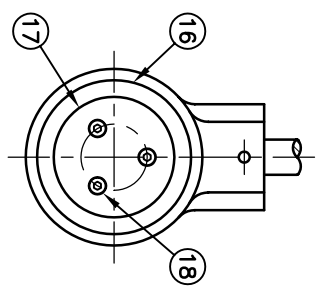


APPROVED BY ENGINEERING MANAGER
 7-03-2007 *M. C. R.*



PACKING DETAIL
 2 X SCALE



WEDGE ASM DETAIL
 1.5 X SCALE

ITEM QTY	DESCRIPTION	NUMBER
19	1 SET SCREW	
18	3 SOCKET HEAD CAP SCREW	
17	1 SEAT CLAMP	
16	1 SEAT	
15	2 GASKET	
14	1 PACKING ADAPTER	
13	1 CHEVRON ADAPTER	
12	1 CHEVRON SET	
11	1 GLAND FLANGE	
10	1 STEM BEARING	
9	1 RETAINING RING	PRESS CONTAINING
8	1 BODY	PRESS CONTAINING
7	6 NUT (NOT SHOWN)	
6	1 BONNET & YOKE ASSEMBLY	PRESS CONTAINING
5	6 BOLT	
4	1 STEM & WEDGE ASSEMBLY	
3	2 NUT	
2	2 BOLT	
1	1 HANDWHEEL ASSEMBLY	

REGO CRYO-FLOW PRODUCTS		BURLINGTON, NC	
DRAWN		ENGINEER	
CHECKED		APPROVED	
UNLESS OTHERWISE SPECIFIED:		SCALE	
2 PL. DEC. ± .015		ORIGINAL DATE	
2 PL. DEC. ± .02		REVISION	
ANGLES ± 1'00		DRAWING NO. GS-110W-16F	
CONCENTRICITY .010 FIM		DWG SIZE B	
FINISH 125 MAX			
REMOVE BURS, BREAK			
SHARP EDGES R0.03 MAX			