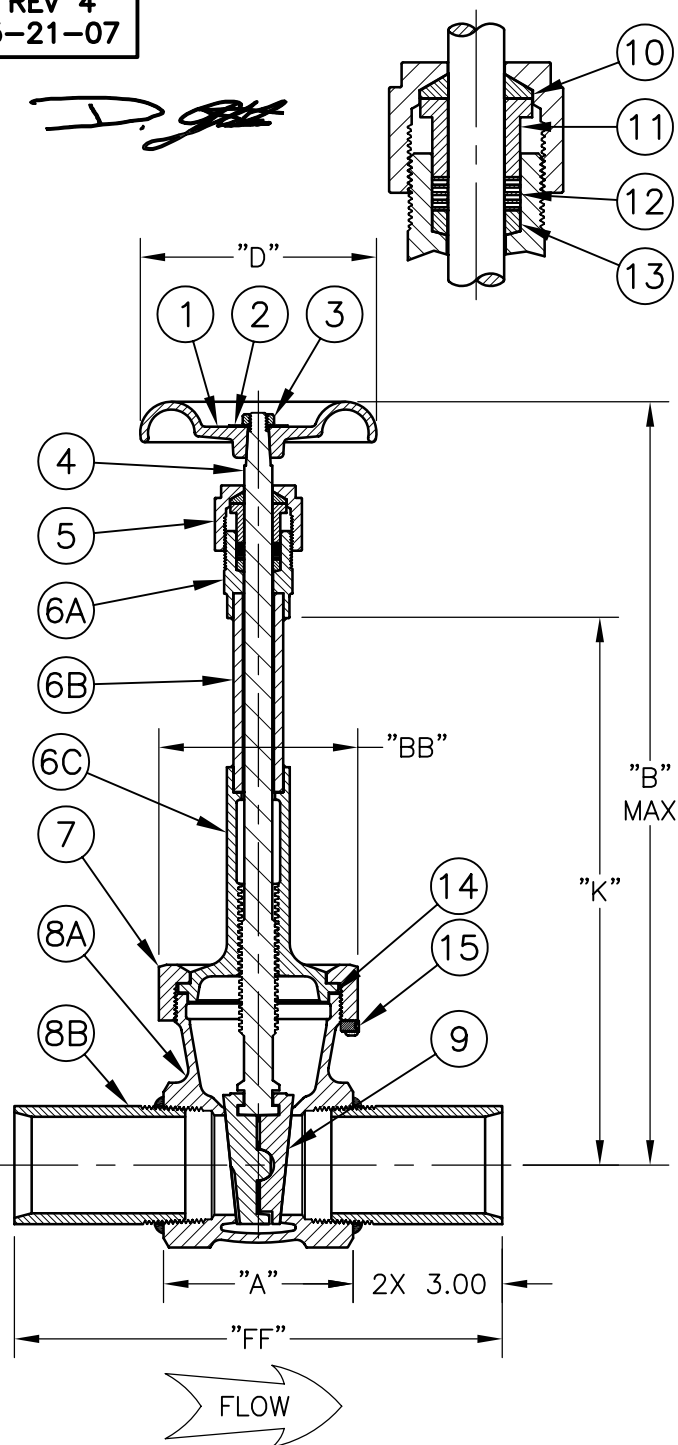


GB-326WE-xxPC
BRONZE GATE VALVE
W/ SCH 10 PIPE ENDS

SERVICE: 300#-600 PSIG NON-SHOCK COLD
TEMPERATURE RATING +150°F TO -325°F



ITEM	DESCRIPTION	MATERIAL SPEC.	KIT #
1	HANDWHEEL	ASTM A47 GRADE 32510 ASTM A395 GRADE 60-40-10	4
2	I.D. TAG	ASTM B209 A91100	4
3	HANDWHEEL NUT	STEEL CADMIUM/ZINC PLATED	1,4
4	STEM	ASTM A479 S30400	4
5	BONNET NUT	ASTM B16 C36000 ASTM B139 C54400	4
6A	BONNET EXT.	ASTM B16 C36000 ASTM B139 C54400	4
* 6B	EXT. TUBE	ASME SA-249 GRADE TP304L	4
* 6C	BONNET	ASTM B138 C67500 ASTM B61 C92200	4
7	BONNET RING	ASTM B61 C92200 ASTM B16 C3600	4
* 8A	BODY	ASTM B61 C92200	
8B	PIPE NIPPLE	ASTM A312 S30400/S30403 ASME SA-312 GRADE TP304L	
9	WEDGE	ASTM B16 C36000 ASTM B61 C92200 ASTM B584 C87600	2,4
10	BONNET BEARING	PTFE 25% GLASS FILLED	1,4
11	GLAND FOLLOWER	ASTM B16 C36000	1,4
12	PACKING	PTFE	1,4
12	PACKING SEPARATOR	ASTM B16 C36000 ASTM B19 C26000	1,4
13	PACKING ADAPTER	ASTM B16 C36000	1,4
14	BONNET GASKET	PTFE 25% GLASS FILLED	2,3,4
** 15	SET SCREW	ASTM F880 TYPE S30400/S30403	

* INDICATES PART IS PRESSURE CONTAINING
** SET SCREW NOT USED ON "GB-326WE-4PC"

DIMENSIONS IN BRACKETS ARE IN MILLIMETERS

MODEL NUMBER	SIZE	"A"	"B"	"D"	"K"	"BB"	"FF"
GB-326WE-4PC	1/2" [DN15]	2.34 [59.44]	15.13 [384.30]	2.38 [60.45]	11.30 [287.02]	1.69 [42.92] HEX	8.34 [211.84]
GB-326WE-6PC	3/4" [DN20]	2.50 [63.50]	16.30 [414.02]	2.75 [69.85]	11.80 [299.72]	2.03 [51.56] HEX	8.50 [215.90]
GB-326WE-8PC	1" [DN25]	2.84 [72.14]	15.69 [398.53]	3.00 [76.20]	11.00 [279.40]	2.25 [57.15] HEX	8.84 [224.54]
GB-326WE-12PC	1-1/2" [DN40]	3.44 [87.38]	17.13 [435.10]	4.00 [101.60]	11.00 [279.40]	3.25 [82.55] HEX	9.44 [239.78]
GB-326WE-16PC	2" [DN50]	3.81 [96.77]	18.25 [463.55]	4.75 [120.65]	11.00 [279.40]	4.00 [101.60] OCT	9.81 [249.17]

MODEL NUMBER	#1 PACKING KIT	#2 SEAT ASM KIT	#3 GASKET KIT	#4 UPPER ASM KIT
GB-326WE-4PC	B-326-4-81	B-326-4-82	B-326-4-83	GB-326WE-4KIT
GB-326WE-6PC	B-326-6-81	B-326-6-82	B-326-6-83	GB-326WE-6KIT
GB-326WE-8PC	B-326-8-81	B-326-8-82	B-326-8-83	GB-326WE-8KIT
GB-326WE-12PC	B-326-12-81	B-326-12-82	B-326-12-83	GB-326WE-12KIT
GB-326WE-16PC	B-326-16-81	B-326-16-82	B-326-16-83	GB-326WE-16KIT

