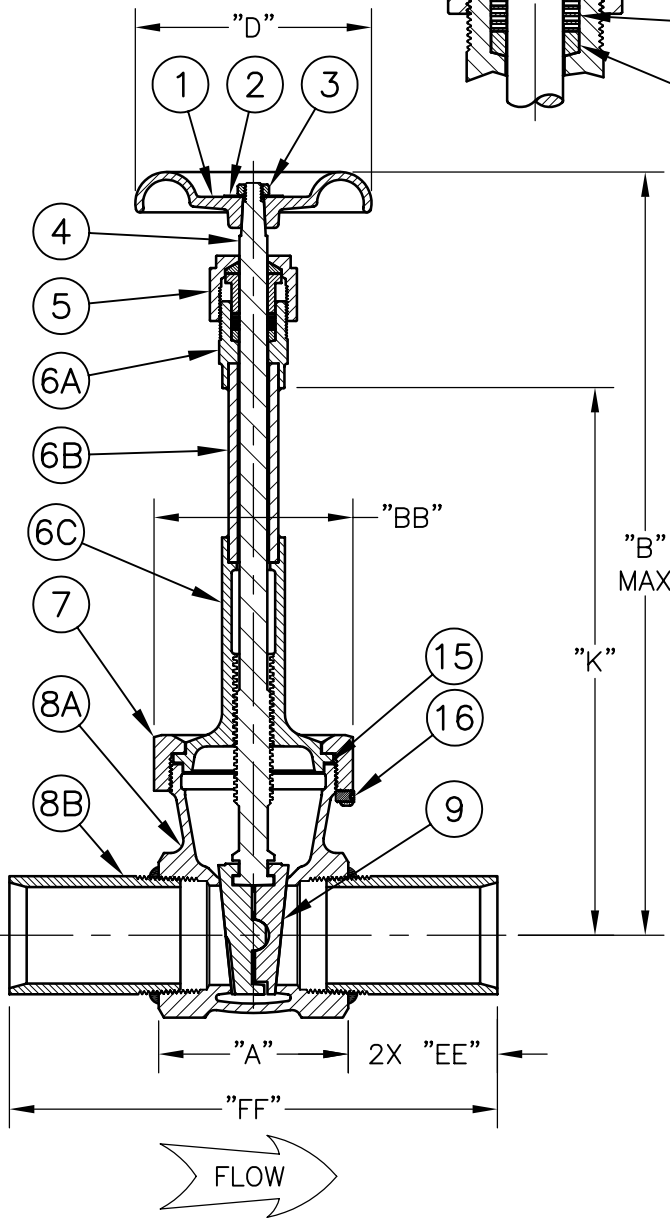


GB-322WE-xxPx
BRONZE GATE VALVE
W/ SCH 10 PIPE ENDS

CWP 400 PSIG NON-SHOCK COLD
TEMPERATURE RATING +150°F TO -325°F



| ITEM | DESCRIPTION | MATERIAL SPEC. | KIT # |
|------|-----------------------|--|-------|
| 1 | HANDWHEEL | ASTM A47 GRADE 32510 ASTM A395 GRADE 60-40-10 | 4 |
| 2 | I.D. TAG | ASTM B209 A91100 | 4 |
| 3 | HANDWHEEL NUT | STEEL CADMIUM/ZINC PLATED | 1,4 |
| 4 | STEM | ASTM A479 S30400 | 4 |
| 5 | BONNET NUT | ASTM B16 C36000 ASTM B61 C92200 ASTM B139 C54400 | 4 |
| 6A | BONNET EXT. | ASTM B16 C36000 ASTM B139 C54400 | 4 |
| * 6B | EXT. TUBE | ASME SA-249 GRADE TP304L | 4 |
| * 6C | BONNET | ASTM B138 C67500 ASTM B61 C92200 | 4 |
| 7 | BONNET RING | ASTM B61 C92200 ASTM B16 C36000 ASTM B139 C54400 | 4 |
| * 8A | BODY | ASTM B61 C92200 | |
| 8B | PIPE NIPPLE SCH 80 | ASTM A312 S30400/S30403 ASME SA-312 GRADE TP304L | |
| 9 | WEDGE | ASTM B16 C36000 ASTM B61 C92200 ASTM B584 C87600 | 2,4 |
| 10 | BONNET BEARING | PTFE 25% GLASS FILLED | 1,4 |
| 11 | GLAND FOLLOWER | ASTM B16 C36000 | 1,4 |
| 12 | PACKING | PTFE | 1,4 |
| 13 | PACKING SEPARATOR | ASTM B16 C36000 ASTM B19 C26000 | 1,4 |
| 14 | PACKING ADAPTER | ASTM B16 C36000 | 1,4 |
| 15 | BONNET GASKET | PTFE 25% GLASS FILLED | 2,3,4 |
| 16 | SET SCREW | ASTM F880 TYPE S30400/S30403 | |

* INDICATES PART IS PRESSURE CONTAINING

DIMENSIONS IN BRACKETS ARE IN MILLIMETERS

| MODEL NUMBER | SIZE | "A" | "B" | "D" | "K" | "EE" | "BB" | "FF" |
|---------------|-----------|---------------|----------------|---------------|----------------|--------------|-------------------|----------------|
| GB-322WE-8PC | 1" [DN25] | 2.84 [72.14] | 15.69 [398.53] | 3.00 [76.20] | 11.00 [279.40] | 3.00 [76.20] | 2.25 [57.15] HEX | 8.84 [224.54] |
| GB-322WE-16PC | 2" [DN50] | 3.81 [96.77] | 18.25 [463.55] | 4.75 [120.65] | 11.00 [279.40] | 3.00 [76.20] | 4.00 [101.60] OCT | 9.81 [249.17] |
| GB-322WE-24PC | 3" [DN80] | 5.13 [130.30] | 26.25 [666.75] | 4.75 [120.65] | 17.70 [449.58] | 3.00 [76.20] | 5.19 [131.83] OCT | 11.13 [282.70] |

| MODEL NUMBER | #1 PACKING KIT | #2 SEAT ASM KIT | #3 GASKET KIT | #4 UPPER ASM KIT |
|---------------|-------------------|--------------------|------------------|---------------------|
| GB-322WE-8PC | B-322-8-81 | B-322-8-82 | B-322-8-83 | GB-322WE-8KIT |
| GB-322WE-16PC | B-326-16-81 | B-326-16-82 | B-326-16-83 | GB-322WE-16KIT |
| GB-322WE-24PC | B-326-24-81 | B-322-24-82 | B-322-26-83 | GB-322WE-24KIT |

