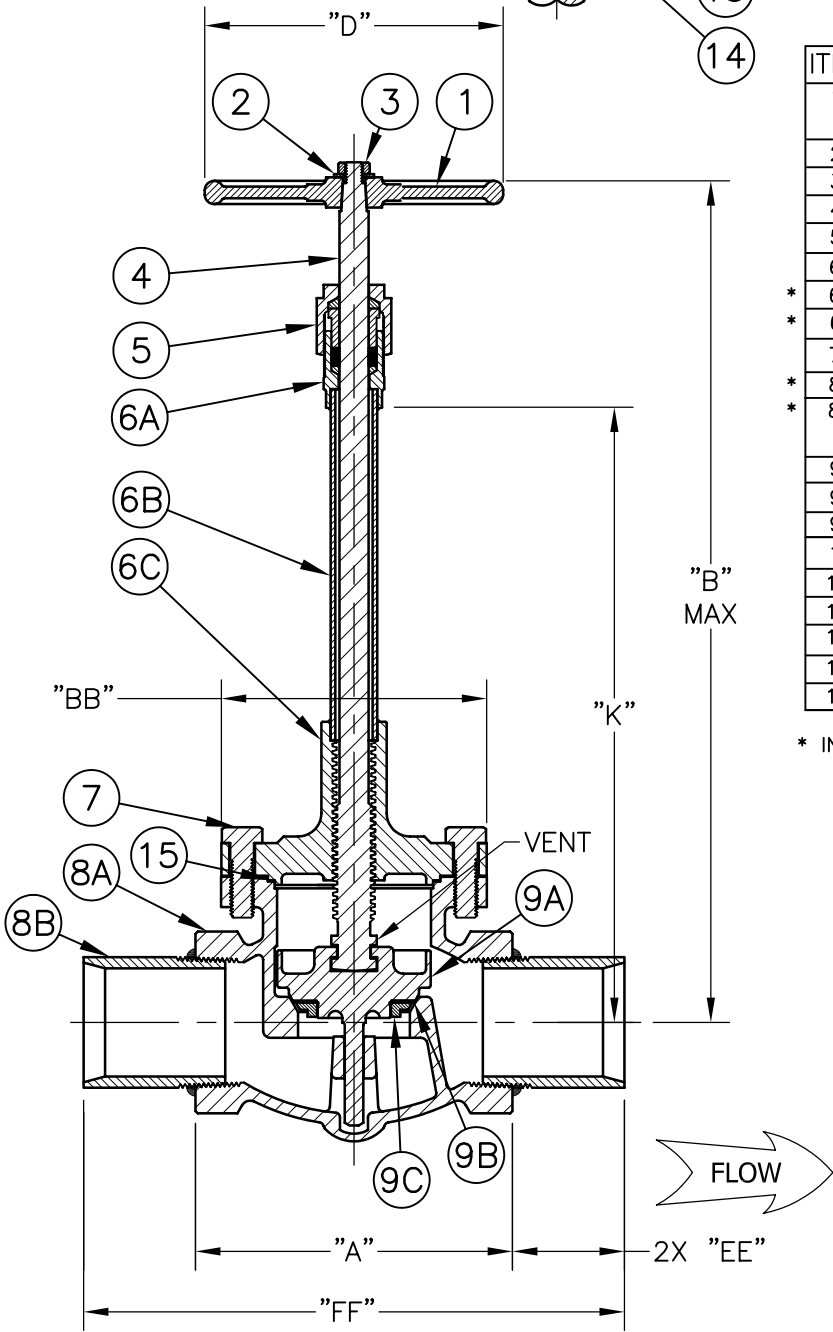


GB-222WE-xxPx
BRONZE GLOBE VALVE
W/ SCH 10 PIPE ENDS

CWP 400 PSIG NON-SHOCK COLD
TEMPERATURE RATING +150°F TO -325°F



ITEM	DESCRIPTION	MATERIAL SPEC.	KIT #
1	HANDWHEEL	ASTM A47 GRADE 32510 ASTM A395 GRADE 60-40-10	4
2	I.D. TAG	ASTM H26 SERIES AA100	4
3	HANDWHEEL NUT	304 SSSL	1,4
4	STEM	ASTM A479 S30400	4
5	BONNET NUT	ASTM B139 C54400	4
6A	BONNET EXT.	ASTM B139 C54400	4
* 6B	EXT. TUBE	ASME SA-249 GRADE TP304L	4
* 6C	BONNET	ASTM B61 C92200	4
7	BONNET BOLT	ASTM A320 UNS S30400	4
* 8A	BODY	ASTM B61 C92200	
* 8B	PIPE NIPPLE SCH 80	ASTM A312 S30400/S30403 ASME SA-312 GRADE TP304L	
9A	SEAT	ASTM B61 C92200	
9B	SEAT DISC	ASTM ASTM D1430	2,4
9C	SEAT RETAINER	ASTM B21 CDA #464	
10	BONNET BEARING	PTFE 25% GLASS FILLED	1,4
11	GLAND FOLLOWER	ASTM B16 C36000	1,4
12	PACKING	PTFE	1,4
13	PACKING SEPARATOR	ASTM B16 C36000	1,4
14	PACKING ADAPTER	ASTM B16 C36000	1,4
15	BONNET GASKET	PTFE 25% GLASS FILLED	2,3,4

* INDICATES PART IS PRESSURE CONTAINING

DIMENSIONS IN BRACKETS ARE IN MILLIMETERS

MODEL NUMBER	SIZE	"A"	"B"	"D"	"K"	"EE"	"BB"	"FF"
GB-222WE-24PC	3" [DN80]	8.50 [215.90]	24.43 [620.52]	8.00 [203.20]	17.70 [449.58]	3.00 [76.20]	7.12 [180.85]	14.50 [368.3]

MODEL NUMBER	#1 PACKING KIT	#2 SEAT ASM KIT	#3 GASKET KIT	#4 UPPER ASM KIT
GB-222WE-24PC	B-222X-24-81	B-222X-24-82	B-222X-24-83	GB-222WE-24KIT