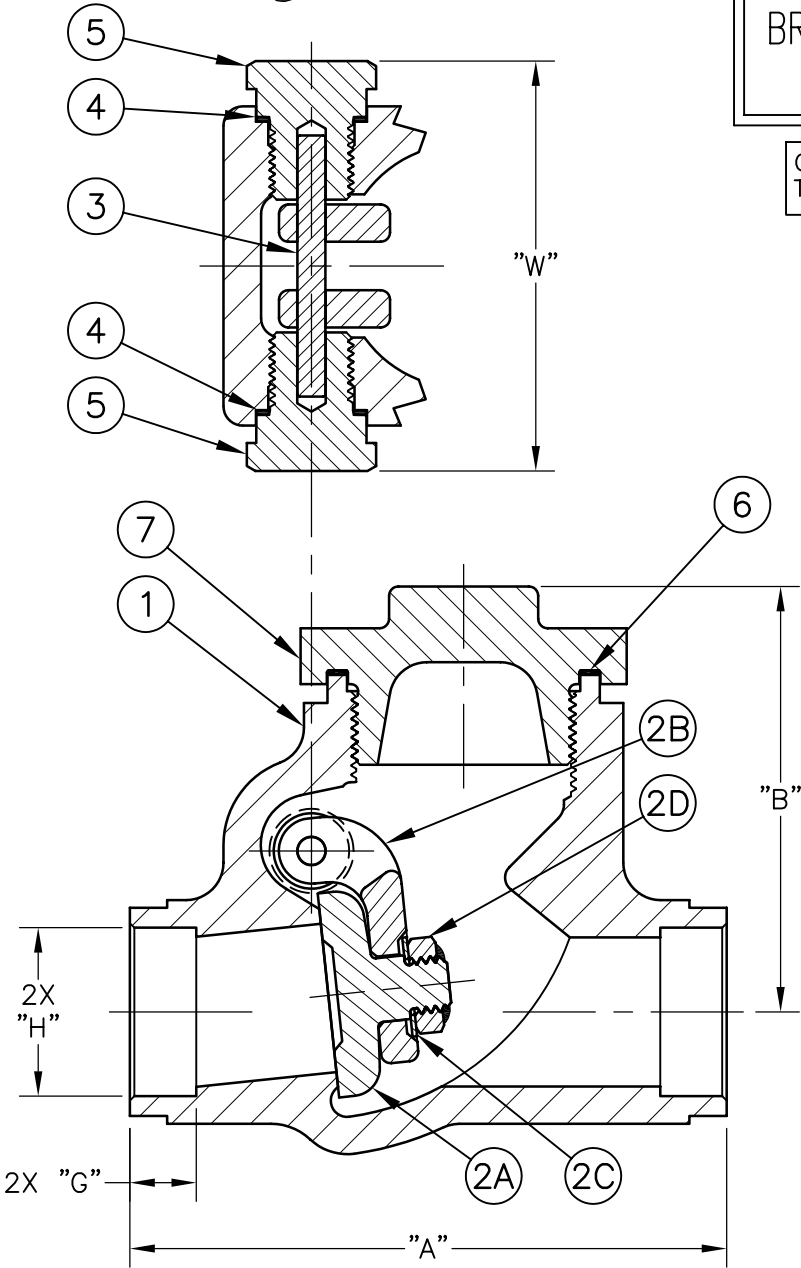


B-846M-xxS6  
BRONZE CRYOGENIC SWING CHECK VALVE  
W/ BRAZE SOCKET ENDS

CWP 600 PSIG NON-SHOCK COLD  
TEMPERATURE RATING: +150°F TO -325°F



#	PART NAME	MATERIAL	KIT #
* 1	BODY	ASTM B61 C92200	
2A	SEAT (METAL)	ASTM B98 C65500	2
2B	ARM	ASTM B584 C87300	2
Δ 2C	WASHER	ASTM B16 C36000	2
2D	NUT	ASTM B98 C65100	2
3	PIN	ASTM A479 300 SSSL	2
4	PLUG SEAL	TFE 25% GLASS FILL	2
5	PLUG	ASTM B16 C36000	2
6	GASKET	TFE 25% GLASS FILL	1,2
* 7	CAP	ASTM B61 C92200	

\* INDICATES PART IS PRESSURE CONTAINING  
Δ ONLY USED ON "S-886M-12S6" & "S-886M-16S6"

DIMENSIONS IN BRACKETS ARE IN MILLIMETERS

MODEL NUMBER	SIZE	"A"	"B"	"G"	"H"	"W"
S-886M-4S6	1/2" [DN15]	2.94 [74.61]	2.09 [53.09]	.38 [9.65]	.63 [16.00]	2.07 [52.58]
S-886M-6S6	3/4" [DN20]	3.60 [91.44]	2.75 [69.85]	.41 [10.41]	.88 [22.35]	2.61 [66.29]
S-886M-8S6	1" [DN25]	4.07 [103.38]	2.85 [72.39]	.45 [11.43]	1.13 [28.70]	2.75 [69.85]
S-886M-12S6	1 1/2" [DN40]	5.03 [127.76]	3.54 [89.92]	.63 [16.00]	1.63 [41.40]	3.67 [93.22]
S-886M-16S6	2" [DN50]	6.35 [161.29]	4.34 [110.24]	.66 [16.76]	2.13 [54.10]	4.43 [113.52]

MODEL NUMBER	#1 GASKET KIT	#2 SEAT ASM KIT
S-846M-4S6	B-846M-4-83	B-846M-4-82
S-846M-6S6	B-846M-6-83	B-846M-6-82
S-846M-8S6	B-846M-8-83	B-846M-8-82
S-846M-12S6	B-846M-12-83	B-846M-12-82
S-846M-16S6	B-846M-16-83	B-846M-16-82

