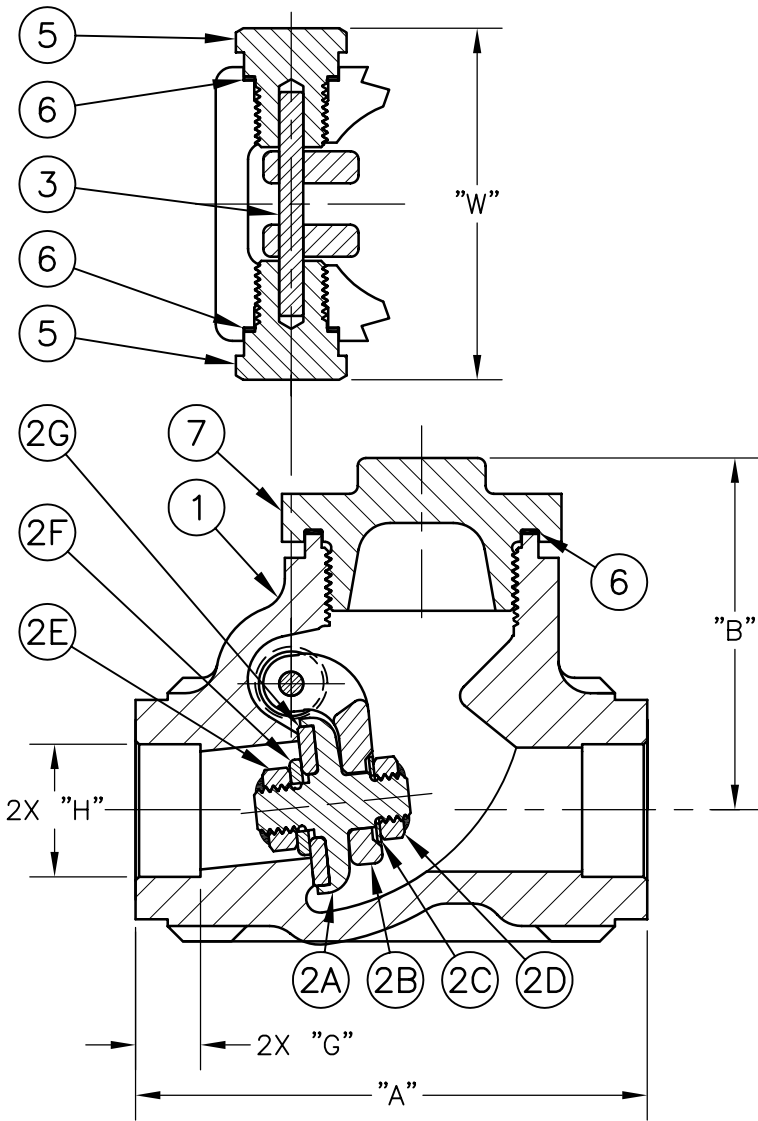




B-840-xxS
BRONZE CRYOGENIC SWING CHECK VALVE
SIL BRAZED SOCKET ENDS

CWP 400 PSIG NON-SHOCK COLD
TEMPERATURE RATING +150°F TO -325°F



ITEM	DESCRIPTION	MATERIAL SPEC.	KIT #
* 1	BODY	ASTM B61 C92200	
2A	DISC HOLDER	ASTM B98 C65500 ASTM B21 C46400	2
2B	ARM	SIL BRONZE C87300	2
** 2C	ARM WASHER	ASTM B16 C36000	2
2D	ARM NUT	ASTM B98 C65100	2
2E	DISC NUT	ASTM B98 C65100	2
2F	DISC WASHER	ASTM B16 C36000	2
2G	SEAT	PCTFE ASTM D1430	2
3	PIN	ASTM A479	2
4	SEAL, PLUG	LOX GRADE TFE 35% GALSS	2
5	PLUG	ASTM B16 C36000	2
6	GASKET	LOX GRADE TFE 25% GLASS	1,2
* 7	CAP	ASTM B61 C9200	

* INDICATES PART IS PRESSURE CONTAINING

** ONLY USED ON "B-840-12S" & "B-840-16S" VALVES

ALL DIMENSIONS ARE IN INCHES

ASM #	SIZE	"A"	"B"	"G"	"H"	"W"
B-840-4S	1/2" [DN15]	2.94 [74.60]	2.09 [53.09]	.38 [9.65]	.63 [16.00]	2.07 [52.58]
B-840-6S	3/4" [DN20]	3.60 [91.44]	2.75 [69.85]	.41 [10.41]	.88 [22.35]	2.61 [66.29]
B-840-8S	1" [DN25]	4.00 [101.66]	2.85 [72.39]	.45 [11.43]	1.13 [28.70]	2.75 [69.85]
B-840-12S	1 1/2" [DN40]	5.03 [127.76]	3.54 [89.92]	.63 [16.00]	1.63 [41.40]	3.67 [93.22]
B-840-16S	2" [DN50]	6.35 [161.29]	4.34 [110.24]	.66 [16.76]	2.13 [54.10]	4.43 [112.52]

ASM #	#1 GASKET KIT	#2 SEAT ASM KIT
B-840-4S	B-846M-4-83	B-840-4-82
B-840-6S	B-846M-6-83	B-840-6-82
B-840-8S	B-846M-8-83	B-840-8-82
B-840-12S	B-846M-12-83	B-840-12-82
B-840-16PA	B-846M-16-83	B-840-16-82