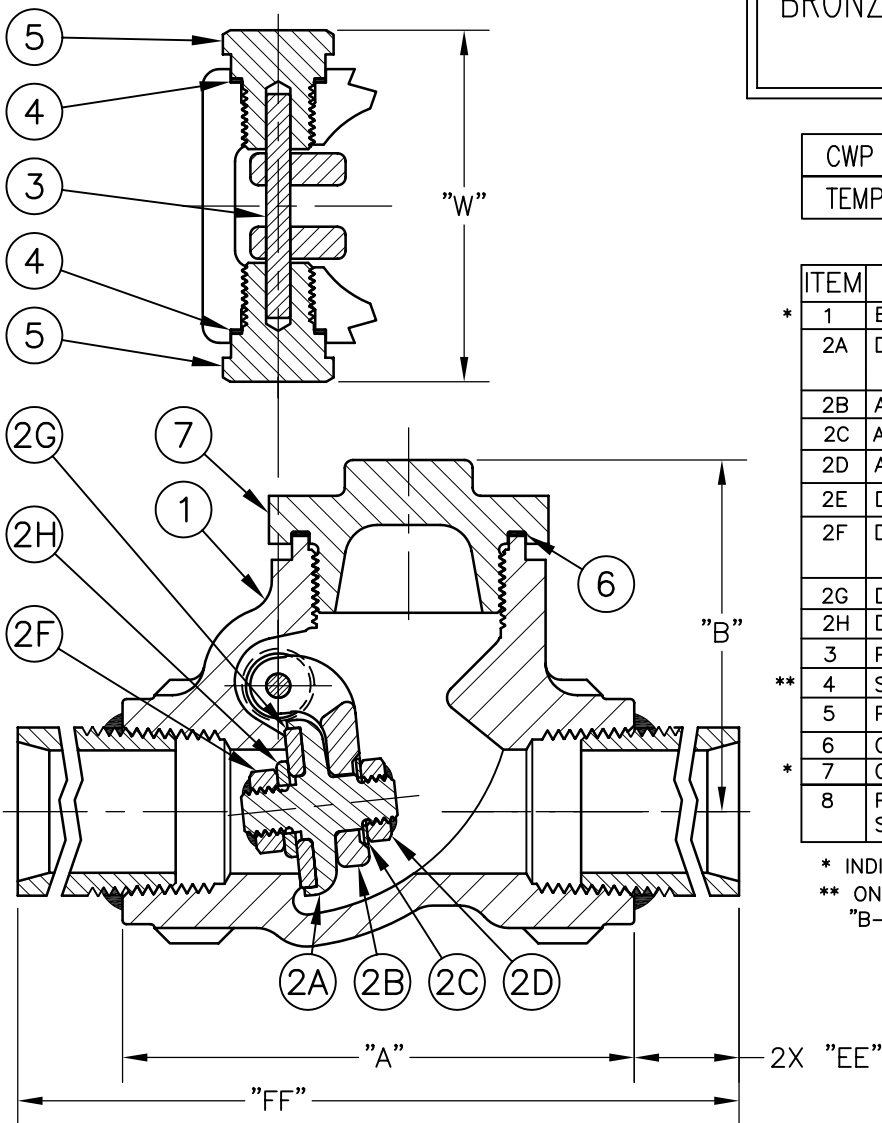


B-840-xxPx
BRONZE CRYOGENIC SWING CHECK VALVE
W/ SCH 10 PIPE ENDS

CWP 400 PSIG NON-SHOCK COLD

TEMPERATURE RATING +150°F TO -325°F



ITEM	DESCRIPTION	MATERIAL SPEC.	KIT #
* 1	BODY	ASTM B61 C92200	
2A	DISC HOLDER	ASTM B98 C65500 ASTM B21 C46400	2
2B	ARM	SIL BRONZE C87300	2
2C	ARM WASHER	ASTM B16 C36000	2
2D	ARM NUT	ASTM B98 C65100	2
2E	DISC NUT	ASTM B98 C65100	2
2F	DISC HOLDER	ASTM B98 C65500 ASTM B21 C46400	2
2G	DISC	PCTFE ASTM D1430	2
2H	DISC WASHER	ASTM B16 C36000	2
3	PIN	ASTM A479	2
** 4	SEAL, PLUG	TFE 35% GLASS FILL	2
5	PLUG	ASTM B16 C36000	2
6	GASKET	TFE 25% GLASS FILL	1,2
* 7	CAP	ASTM B61 C9200	
8	PIPE NIPPLE SCH 80	ASTM A312 TYPE 304	

* INDICATES PART IS PRESSURE CONTAINING

** ONLY USED ON "B-840-12PA", "B-840-12PC",
"B-840-12PF", "B-840-16PA", "B-840-16PC" VALVES

ALL DIMENSIONS ARE IN INCHES

ASM #	SIZE	"A"	"B"	"W"	"EE"	"FF"
B-840-4PC	1/2" [DN15]	3.00 [76.20]	2.09 [53.09]	2.07 [52.58]	3.00 [76.20]	9.00 [228.60]
B-840-6PC	3/4" [DN20]	3.60 [91.44]	2.75 [69.85]	2.61 [66.29]	3.00 [76.20]	9.60 [243.84]
B-840-8PC	1" [DN25]	4.00 [101.60]	2.85 [72.39]	2.75 [69.85]	3.00 [76.20]	10.00 [254.00]
B-840-12PC	1 1/2" [DN40]	5.03 [127.76]	3.54 [89.92]	3.67 [93.22]	3.00 [76.20]	11.03 [280.16]
B-840-16PC	2" [DN50]	6.35 [161.29]	4.34 [110.24]	4.43 [112.52]	3.00 [76.20]	12.35 [313.69]

ASM #	#1 GASKET KIT	#2 SEAT ASM KIT
B-840-4PC	B-846M-4-83	B-840-4-82
B-840-6PC	B-846M-6-83	B-840-6-82
B-840-8PC	B-846M-8-83	B-840-8-82
B-840-12PC	B-846M-12-83	B-840-12-82
B-840-16PC	B-846M-16-83	B-840-16-82