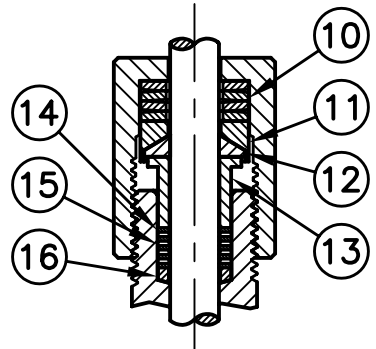
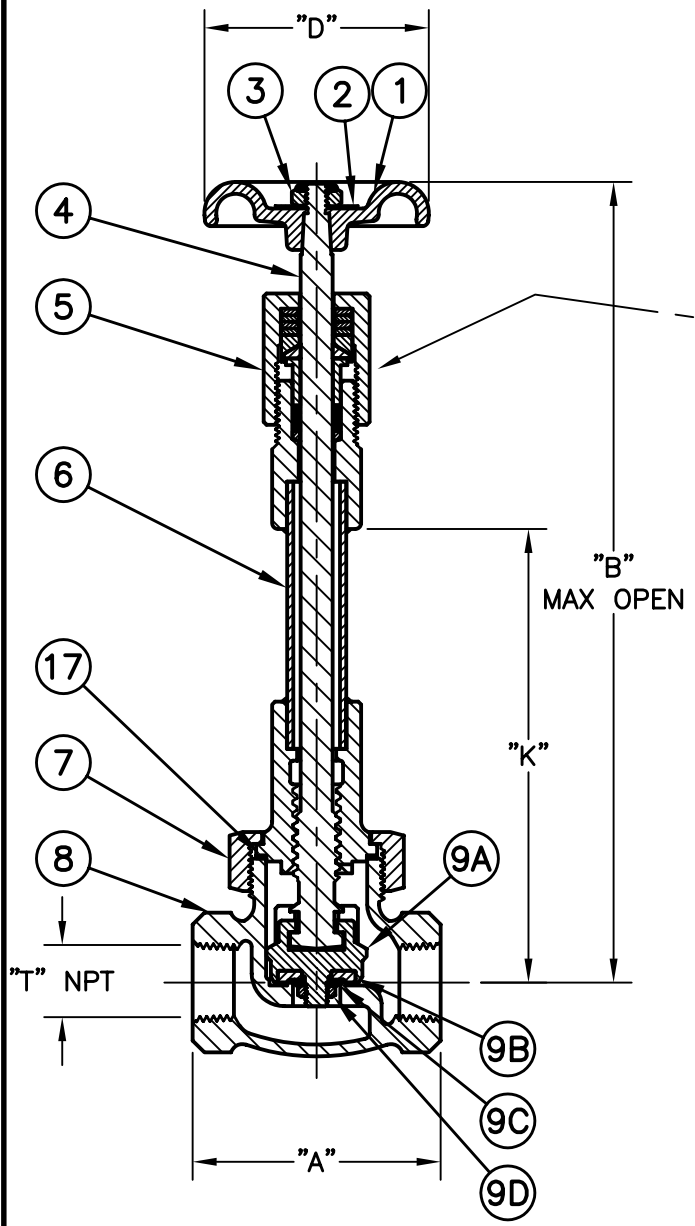


REV 1
10-04-06

B-226LL-xT6 / 1/4"-1"
BRONZE CRYOGENIC GLOBE VALVE
LIVE LOAD W/NPT ENDS

SERVICE: 300#-600 PSIG NON-SHOCK COLD
TEMPERATURE RATING +150° F TO -325° F



ITEM	DESCRIPTION	MATERIAL SPEC.	KIT #
1	HANDWHEEL	ASTM A47 OR A395	4
2	I.D. TAG	ASTM H26 SERIES AA100	4
3	HANDWHEEL NUT	IFI-100/107 GR 2 STEEL	1,4
4	STEM	ASTM A479 TYPE 304	4
5	BONNET NUT	ASTM B16 C36000	4
6	BONNET EXT.	ASTM B16 C36000	4
6	EXT. TUBE	ASTM A249 TYPE 304	4
6	BONNET	ASTM B61 C92200	4
7	BONNET RING	ASTM B61 C92200	4
8	BODY	ASTM B61 C92200	
9A	SEAT RETAINER	ASTM B61 C92200	2,4
9B	SEAT DISC	ASTM D1430 CL 1 GRADE 8 VIRGIN PCTFE	2,4
9C	SEAT CLAMP	ASTM B16 C36000 OR ASTM B21 C46400	2,4
9D	SEAT CLAMP NUT	ASTM B16 C36000 OR ASTM F467 C65100 OR ASTM B98 C65100	2,4
* 10	SPRING	AISI 300 SERIES	1,4
11	WASHER	ASTM B16 C36000	1,4
12	BONNET BEARING	PTFE 25% GLASS FILLED	1,4
13	GLAND FOLLOWER	ASTM B16 C36000	1,4
14	PACKING	PTFE	1,4
15	PACKING SEPARATOR	ASTM B16 C36000	1,4
16	PACKING ADAPTER	ASTM B16 C36000	1,4
17	BONNET GASKET	PTFE 25% GLASS FILLED	2,3,4

* 1/4"-1/2" VALVES STACK 4 SPRINGS
3/4" & 1" VALVES STACK 2 SPRINGS

ALL DIMENSIONS ARE IN INCHES

ASM #	SIZE	"A"	"B"	"D"	"K"	"T" NPT	#1 PACKING KIT	#2 SEAT ASM KIT	#3 GASKET KIT	#4 UPPER ASM KIT
B-226LL-2T6	1/4"	2.63	8.69	2.38	4.8	1/4"	B-226LL-4-81	B-226LL-4-82	B-226LL-4-83	B-226LL-4KIT
B-226LL-3T6	3/8"	2.63	8.69	2.38	4.8	3/8"	B-226LL-4-81	B-226LL-4-82	B-226LL-4-83	B-226LL-4KIT
B-226LL-3T6A	3/8"	2.63	12.90	2.38	9.1	3/8"	B-226LL-4-81	B-226LL-4-82	B-226LL-4-83	B-226LL-4KIT
B-226LL-4T6	1/2"	2.63	8.69	2.38	4.8	1/2"	B-226LL-4-81	B-226LL-4-82	B-226LL-4-83	B-226LL-4KIT
B-226LL-6T6	3/4"	3.75	10.50	3.00	6.5	3/4"	B-226LL-8-81	B-226LL-8-82	B-226LL-8-83	B-226LL-8KIT
B-226LL-8T6	1"	3.75	10.50	3.00	6.5	1"	B-226LL-8-81	B-226LL-8-82	B-226LL-8-83	B-226LL-8KIT

