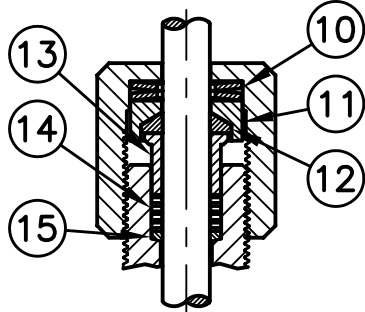
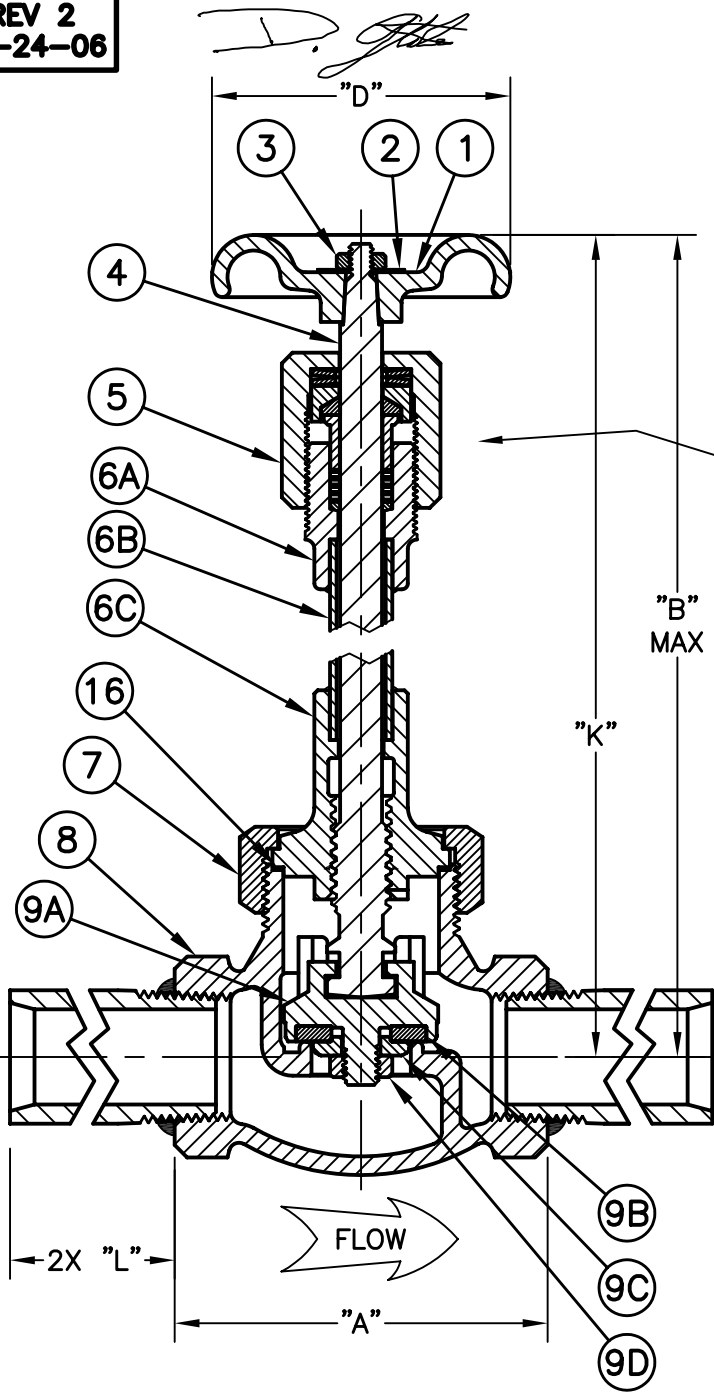


B-226LL-xPx / B-226ULL-xPx  
BRONZE CRYOGENIC GLOBE VALVE  
LIVE LOAD W/ S10 ENDS

SERVICE: MSS SP-80 CLASS 300  
600 PSIG NON-SHOCK COLD  
TEMPERATURE RATING +150° F TO -325° F



ITEM	DESCRIPTION	MATERIAL SPEC.	KIT #
1	HANDWHEEL	ASTM A47 OR ASTM A395 OR DIN 1692 GRADE GTS 35-10	4
2	I.D. TAG WASHER	ASTM H26 SERIES AA100 AISI 300 SERIES SSTL	4
3	HANDWHEEL NUT	ZINC PLATED STEEL	1,4
4	STEM	ASTM A312 OR A479 TYPE 304	4
5	BONNET NUT	ASTM B16 C36000	4
6A	BONNET EXT.	ASTM B16 C36000	4
* 6B	EXT. TUBE	ASTM A249 TYPE 304L	4
* 6C	BONNET	ASTM B61 C92200 OR ASTM B21 C46400 OR ASTM B138 C67600	4
7	BONNET RING	ASTM B16 C36000 OR ASTM B61 C92200	4
* 8	BODY ASM	ASTM B61 C92200/	
9A	SEAT RETAINER	ASTM B61 C92200	2,4
9B	SEAT DISC	ASTM D1430 CL 1 GRADE 8 VIRGIN PCTFE	2,4
9C	SEAT CLAMP	ASTM B16 C36000 OR ASTM B21 C46400	2,4
9D	SEAT CLAMP NUT	ASTM B16 C36000 OR ASTM F467 C65100 OR ASTM B98 C65100	2,4
10	SPRING	AISI 300 SERIES	1,4
11	WASHER	ASTM B16 C36000	1,4
12	BONNET BEARING	PTFE 25% GLASS FILLED	1,4
13	GLAND FOLLOWER	ASTM B16 C36000	1,4
14A	PACKING	VIRGIN PTFE	1,4
14B	PACKING SEPARATOR	ASTM B16 C36000 OR ASTM B36 C2600	1,4
15	PACKING ADAPTER	ASTM B16 C36000	1,4
16	BONNET GASKET	PTFE 25% GLASS FILLED	2,3,4

\* INDICATES PART IS PRESSURE CONTAINING

ALL DIMENSIONS ARE IN INCHES

ASM #	"A"	"B"	"D"	"K"	"L"
B-226LL-4PC	2-5/8	8-1/4	2-3/8	4-7/8	3.00
B-226LL-4PD	2-5/8	8-1/4	2-3/8	4-7/8	4.00
B-226LL-8PC	3-3/4	10-1/2	3"	6-1/2	3.00
B-226LL-8PD	3-3/4	10-1/2	3"	6-1/2	4.00
B-226ULL-12PA	4-3/4	14-5/8	4	9-11/16	1.00
B-226ULL-12PC	4-3/4	14-5/8	4	9-11/16	3.00
B-226ULL-12PD	4-3/4	14-5/8	4	9-11/16	4.00
B-226ULL-16PC	5-3/4	15-1/8	4-3/4	9-11/16	3.00

#1	#2	#3	#4
PACKING KIT	SEAT ASM KIT	GASKET KIT	UPPER ASM KIT
B-226LL-4-81	B-226LL-4-82	B-226LL-4-83	B-226LL-4KIT
B-226LL-8-81	B-226LL-8-82	B-226LL-8-83	B-226LL-8KIT
B-226ULL-12-81	B-226ULL-12-82	B-226ULL-12-83	B-226ULL-12KIT
B-226ULL-16-81	B-226ULL-16-82	B-226ULL-16-83	B-226ULL-16KIT

