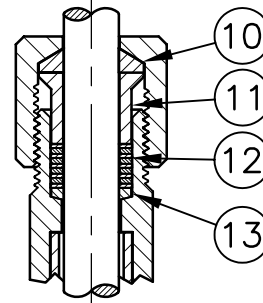
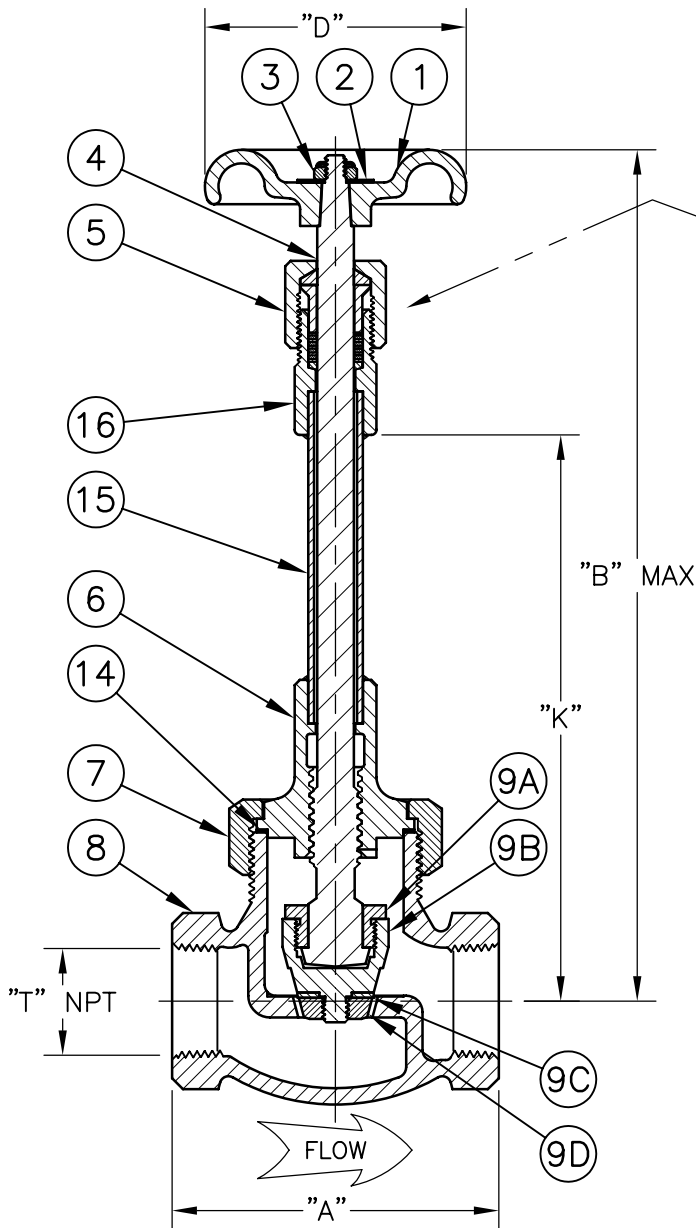


B-222X-xxT4 / 1/4"-2"
BRONZE CRYOGENIC GLOBE VALVE
NPT ENDS

SERVICE: 200#-400 PSIG NON-SHOCK COLD
TEMPERATURE RATING +150° F TO -325° F



ITEM	DESCRIPTION	MATL. SPECIFICATION	KIT #
1	HANDWHEEL	ASTM A47 OR ASTM A395	4
2	I.D. TAG	ASTM H26 SERIES AA100	4
3	HANDWHEEL NUT	IFI-100/107 GR. 2 STEEL	1,4
4	STEM	ASTM A479/TYPE 304	4
5	BONNET NUT	ASTM B16 C36000	4
* 6	BONNET	ASTM B61 C92200	4
7	BONNET RING	ASTM B61 C92200	4
* 8	BODY	ASTM B61 C92200	
9A	DISC NUT	ASTM B16 C36000	2,4
9B	RETAINER	ASTM B16 C36000	2,4
9C	SEAT DISC	ASTM D1430-95 TYPE 1 GR. 8	2,4
9D	SEAT NUT	ASTM B16 C36000	2,4
10	BONNET BEARING	PTFE 25% GLASS FILLED	1,4
11	GLAND FOLLOWER	ASTM B16 C36000	1,4
12	PACKING UNIT	ASTM B16 C36000	1,4
13	PACKING ADAPTER	ASTM B16 C36000	1,4
14	BONNET GASKET	PTFE 25% GLASS FILLED	2,3,4
* 15	EXTENSION TUBE	ASTM A249 S30400	4
16	BONNET EXTENSION	ASTM B16 C36000	4

* INDICATES PART IS PRESSURE CONTAINING

ALL DIMENSIONS ARE IN INCHES

ASM #	SIZE	"A"	"B"	"D"	"K"	"T" NPT
B-222X-2T4	1/4"	2.63	8.38	2.38	4.8	1/4"
B-222X-4T4	1/2"	2.63	8.38	2.38	4.8	1/2"
B-222X-4T4A	1/2"	2.63	15.54	2.38	12.2	1/2"
B-222X-6T4	3/4"	3.19	8.63	2.75	4.9	3/4"
B-222X-6T4A	3/4"	3.19	15.79	2.75	12.0	3/4"
B-222X-8T4	1"	3.75	10.50	3.00	6.5	1"
B-222X-8T4A	1"	3.75	16.01	3.00	12.0	1"
B-222X-12T4	1-1/2"	4.75	14.63	4.00	9.7	1-1/2"
B-222X-12T4A	1-1/2"	4.75	18.44	4.00	13.5	1-1/2"
B-222X-16T4	2"	5.75	15.13	4.75	9.7	2"
B-222X-16T4A	2"	5.75	22.43	4.75	14.2	2"

#1 PACKING KIT	#2 STEM/SEAT ASM KIT	#3 GASKET KIT	#4 UPPER ASM KIT
B-222X-4-81	B-222X-4-82	B-222X-4-83	B-222X-4KIT
B-222X-4-81	B-222X-4-82	B-222X-4-83	B-222X-4KIT
B-222X-4-81	B-222X-4A82	B-222X-4-83	B-222X-4A85
B-222X-6-81	B-222X-6-82	B-222X-6-83	B-222X-6KIT
B-222X-6-81	B-222X-6A82	B-222X-6-83	B-222X-6A85
B-222X-8-81	B-222X-8-82	B-222X-8-83	B-222X-8KIT
B-222X-8-81	B-222X-8A82	B-222X-8-83	B-222X-8A85
B-222X-12-81	B-222X-12-82	B-222X-12-83	B-222X-12KIT
B-222X-12-81	B-222X-12A82	B-222X-12-83	B-222X-12A85
B-222X-16-81	B-222X-16-82	B-222X-16-83	B-222X-16KIT
B-222X-16-81	B-222X-16A82	B-222X-16-83	B-222X-16A85