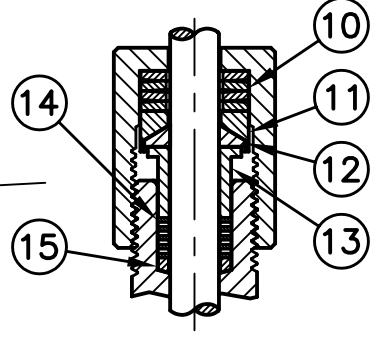
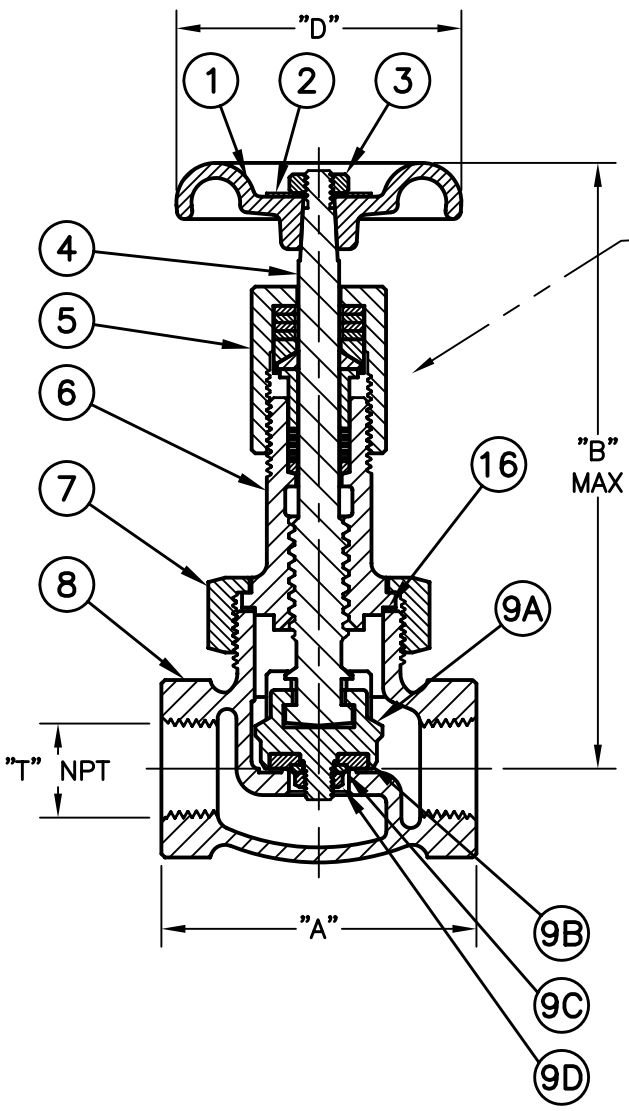


B-206LL-xT6 / 1/4"-1"  
BRONZE CRYOGENIC GLOBE VALVE  
LIVE LOAD W/NPT ENDS

SERVICE: 300#-600 PSIG NON-SHOCK COLD  
TEMPERATURE RATING +150° F TO -325° F



ITEM	DESCRIPTION	MATERIAL SPEC.	KIT #
1	HANDWHEEL	ASTM A47 (F22200) OR ASTM A395 (F32800) DIN 1692, GRADE GTS 35-10	4
2	I.D. TAG	ASTM B209, SERIES 1100	4
3	HANDWHEEL NUT	ZINC PLATED STEEL	1,4
4	STEM	ASTM B138, C67600 OR ASTM B371, C69430	4
5	BONNET NUT	ASTM B16, C36000	4
6	BONNET	ASTM B138, C67600	4
7	BONNET RING	ASTM B16, C36000	4
8	BODY	ASTM B61, C92200	
9A	SEAT RETAINER	ASTM B61 C92200	2,4
9B	SEAT DISC	ASTM D1430 CL 1 GRADE 8 VIRGIN PCTFE	2,4
9C	SEAT CLAMP	ASTM B16 C36000 OR ASTM B21 C46400	2,4
9D	SEAT CLAMP NUT	ASTM B16 C36000 OR ASTM F467 C65100 OR ASTM B98 C65100	2,4
* 10	SPRING	AISI 300 SERIES	1,4
11	WASHER	ASTM B16, C65100	1,4
12	BONNET BEARING	PTFE 25% GLASS FILLED	1,4
13	GLAND FOLLOWER	ASTM B16, C36000	1,4
14	PACKING UNIT	ASTM B16, C36000/PTFE	1,4
15	PACKING ADAPTER	ASTM B16, C36000	1,4
16	BONNET GASKET	PTFE 25% GLASS FILLED	2,3,4

\* 1/4"-1/2" VALVES STACK 4 SPRINGS  
3/4" & 1" VALVES STACK 2 SPRINGS

ALL DIMENSIONS ARE IN INCHES

ASM #	SIZE	"A"	"B"	"D"	"T" NPT	#1 PACKING KIT	#2 SEAT ASM KIT	#3 GASKET KIT	#4 UPPER ASM KIT
B-206LL-2T6	1/4"	2.63	5.40	2.38	1/4"	B-226LL-4-81	B-226LL-4-82	B-226LL-4-83	B-206LL-4KIT
B-206LL-3T6	3/8"	2.63	5.40	2.38	3/8"	B-226LL-4-81	B-226LL-4-82	B-226LL-4-83	B-206LL-4KIT
B-206LL-4T6	1/2"	2.63	5.40	2.38	1/2"	B-226LL-4-81	B-226LL-4-82	B-226LL-4-83	B-206LL-4KIT
B-206LL-6T6	3/4"	3.75	6.75	3.00	3/4"	B-226LL-8-81	B-226LL-8-82	B-226LL-8-83	B-206LL-8KIT
B-206LL-8T6	1"	3.75	6.75	3.00	1"	B-226LL-8-81	B-226LL-8-82	B-226LL-8-83	B-206LL-8KIT