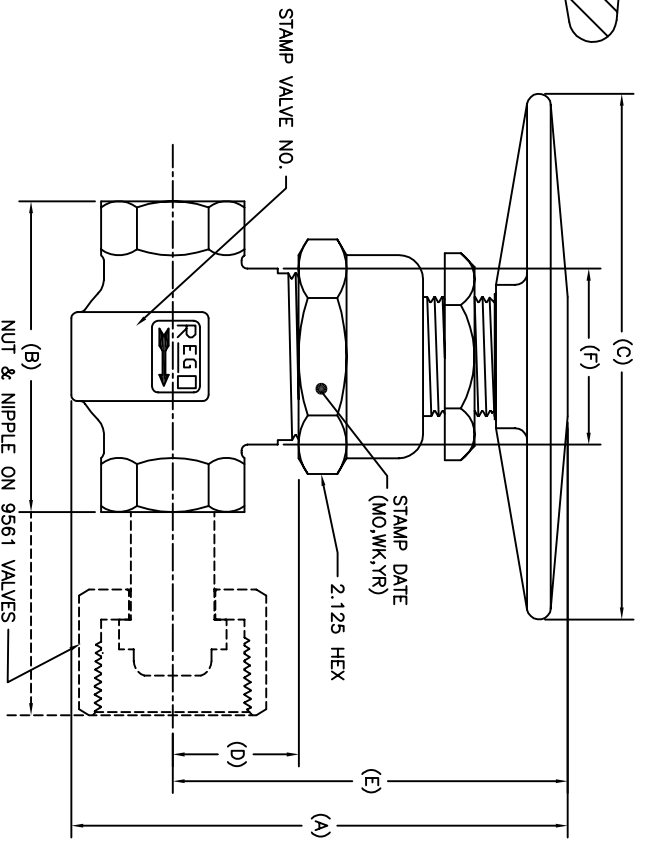
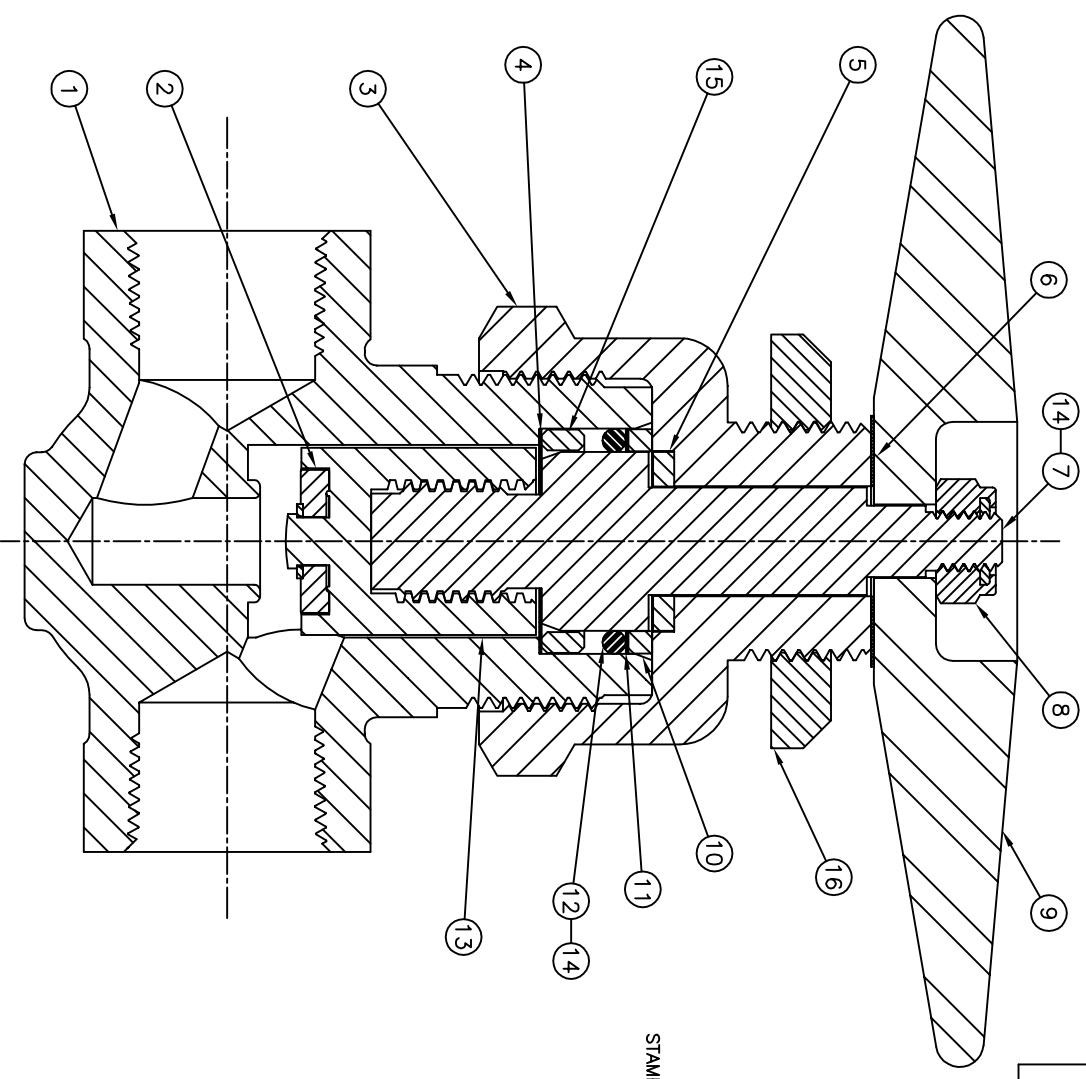


# MATERIAL SPECIFICATION DRAWING



## INLET & OUTLET OPTIONS

PART NUMBER	INLET		OUTLET		DIMENSIONS					
	INLET	OUTLET	A	B	C	D	E	F		
9560AP	1/2" NPT (FEMALE)	1/2" NPT (FEMALE)								
9560BP	3/4" NPT (FEMALE)	3/4" NPT (FEMALE)								
9560ASEP	.843"/.847"	.843"/.847"	5.19"	3.25"						
9560BSEP	1.053"/1.057"	1.053"/1.057"								
9560BSE-BP	1.053"/1.057"	3.4" NPT (FEMALE)			5.50"	1.32"	4.26"	1.84"		
9561RP	1 11.5" NPSM R.H.	1 11.5" R.H. FEMALE SWIVEL	5.19"	5.27"						
9561LP	1 11.5" NPSM L.H.	1 11.5" L.H. FEMALE SWIVEL								
9563RP	1 11.5" NPSM R.H.	1 11.5" NPSM R.H.	5.19"	3.79"						
9563LP	1 11.5" NPSM L.H.	1 11.5" NPSM L.H.								

①-CHANGES ①-DAGES

16	1	BRASS PANEL NUT PLATED	UNS C36000
15	1	BRASS LOWER RETAINING RING	UNS C36000
14		PARTS INDICATED ARE COATED WITH PTFE/PTFE LUBRICANT	ASTM D-2512, 20 DROPS @ 1100mm NO REACTION
13	1	BRASS SEAT HOLDER	UNS C36000
12	1	FLUOROCARBON O-RING	ASTM HK
11	1	PTFE BACK-UP RING	ASTM D1457
10	1	BRASS RETAINING RING	UNS C36000
9	1	FORGED BRASS HANDWHEEL	UNS C37700
8	1	PLATED STEEL NUT	ASTM A563
7	1	BRASS STEM	UNS C36000
6	1	PTFE WASHER	ASTM D1457
5	1	PTFE WASHER	ASTM D4745
4	1	MONEL WASHER	UNS N04400
3	1	BRASS BONNET CAP	UNS C36000
2	1	CTFE SEAT INSERT	ASTM 1430
1	1	FORGED BRASS BODY	UNS C37700

ITEM QTY.	DESCRIPTION	NUMBER
1	FORGED BRASS BODY	UNS C37700

ENGINEER	DESCRIPTION
	REGO CRYO-FLOW PRODUCTS
	BURLINGTON, N.C. 27215

CHECKED	APPROVED	UNLESS SPECIFIED:	OTHERWISE SPECIFIED:
		2 PL. DEC. ± .015	THIS DRAWING IS ECR PROPRIETARY AND INFORMATION ALL RIGHTS OF DESIGN OR INVENTION ARE RESERVED
		3 PL. DEC. ± .005	
		4 PL. DEC. ± .002	
		5 PL. DEC. ± .001	
		6 PL. DEC. ± .0005	
		7 PL. DEC. ± .0002	
		8 PL. DEC. ± .0001	
		9 PL. DEC. ± .00005	
		10 PL. DEC. ± .00002	
		11 PL. DEC. ± .00001	
		12 PL. DEC. ± .000005	
		13 PL. DEC. ± .000002	
		14 PL. DEC. ± .000001	
		15 PL. DEC. ± .0000005	
		16 PL. DEC. ± .0000002	
		17 PL. DEC. ± .0000001	
		18 PL. DEC. ± .00000005	
		19 PL. DEC. ± .00000002	
		20 PL. DEC. ± .00000001	
		21 PL. DEC. ± .000000005	
		22 PL. DEC. ± .000000002	
		23 PL. DEC. ± .000000001	
		24 PL. DEC. ± .0000000005	
		25 PL. DEC. ± .0000000002	
		26 PL. DEC. ± .0000000001	
		27 PL. DEC. ± .00000000005	
		28 PL. DEC. ± .00000000002	
		29 PL. DEC. ± .00000000001	
		30 PL. DEC. ± .000000000005	
		31 PL. DEC. ± .000000000002	
		32 PL. DEC. ± .000000000001	
		33 PL. DEC. ± .0000000000005	
		34 PL. DEC. ± .0000000000002	
		35 PL. DEC. ± .0000000000001	
		36 PL. DEC. ± .00000000000005	
		37 PL. DEC. ± .00000000000002	
		38 PL. DEC. ± .00000000000001	
		39 PL. DEC. ± .000000000000005	
		40 PL. DEC. ± .000000000000002	
		41 PL. DEC. ± .000000000000001	
		42 PL. DEC. ± .0000000000000005	
		43 PL. DEC. ± .0000000000000002	
		44 PL. DEC. ± .0000000000000001	
		45 PL. DEC. ± .00000000000000005	
		46 PL. DEC. ± .00000000000000002	
		47 PL. DEC. ± .00000000000000001	
		48 PL. DEC. ± .000000000000000005	
		49 PL. DEC. ± .000000000000000002	
		50 PL. DEC. ± .000000000000000001	

HP SHUTOFF VALVE  
CTFE SEAT  
PANEL MOUNT

DRAWING NO. 9560P SERIES

