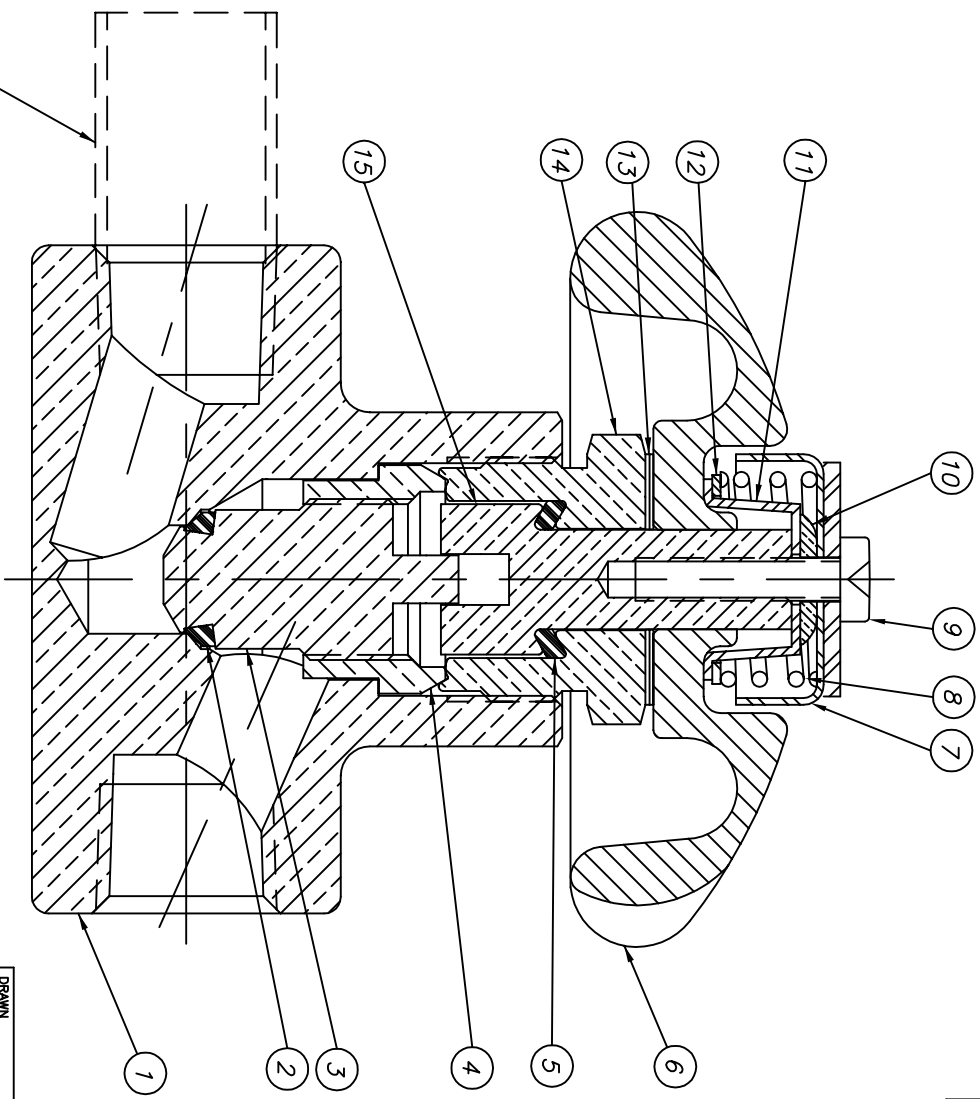


# MATERIAL SPECIFICATION DRAWING



ITEM NO.	QTY.	DESCRIPTION	NUMBER
16	1	304 SSTL TUBE	UNS S30400
15	1	BRASS STEM	UNS C36000
14	1	BRASS BONNET	UNS C36000
13	2	PTFE WASHER	ASTM D1457
12	1	NYLON WASHER	ASTM D4066
11	1	LDPE SEAL	MIL-C-5501/7
10	1	BRASS WASHER	UNS C36000
9	1	302 SSTL SCREW & WASHER	UNS S30200
8	1	17-7 PH SSTL SPRING	UNS S17700
7	1	302 SSTL SPRING RETAINER	UNS S30200
6	1	ALUMINIUM HANDWHEEL	UNS A03800
5	1	PTFE GASKET	ASTM D1457
4	1	BRASS BUSHING	UNS C36000
3	1	MANGANESE BRONZE NIPPLE	UNS C67600
2	1	PTFE SEAT DISC	ASTM D1430
1	1	BRASS BODY	UNS C37700

DRAWN	CRAIG	ENGINEER	APPROVED
CHECKED			
ORIGINAL DATE	7/16/98	PILOT GENERATED:	
REVISIONS			
UNLESS OTHERWISE SPECIFIED: ± .015 2 PL. DEC. ± .02 3 PL. DEC. ± .005 4 PL. DEC. ± .0005 ANGLES ± 1° CONCENTRICITY .010 FIM FINISH 125 MAX REMOVE BURRS, BREAK SHARP EDGES R.015 MAX INTERPRET DIMENSIONS & TOLERANCES BY ASME Y14.5M-1994			
TITLE:		THIS DRAWING IS ECI PROPRIETARY INFORMATION ALL RIGHTS OF DESIGN OR INVENTION ARE RESERVED	
DRAWING NO.		SHUT-OFF VALVE	
9450/9460 SERIES			
SCALE		NTS	
DWG SIZE		B	

Ⓐ - CHANGES  
 ① - GAGES